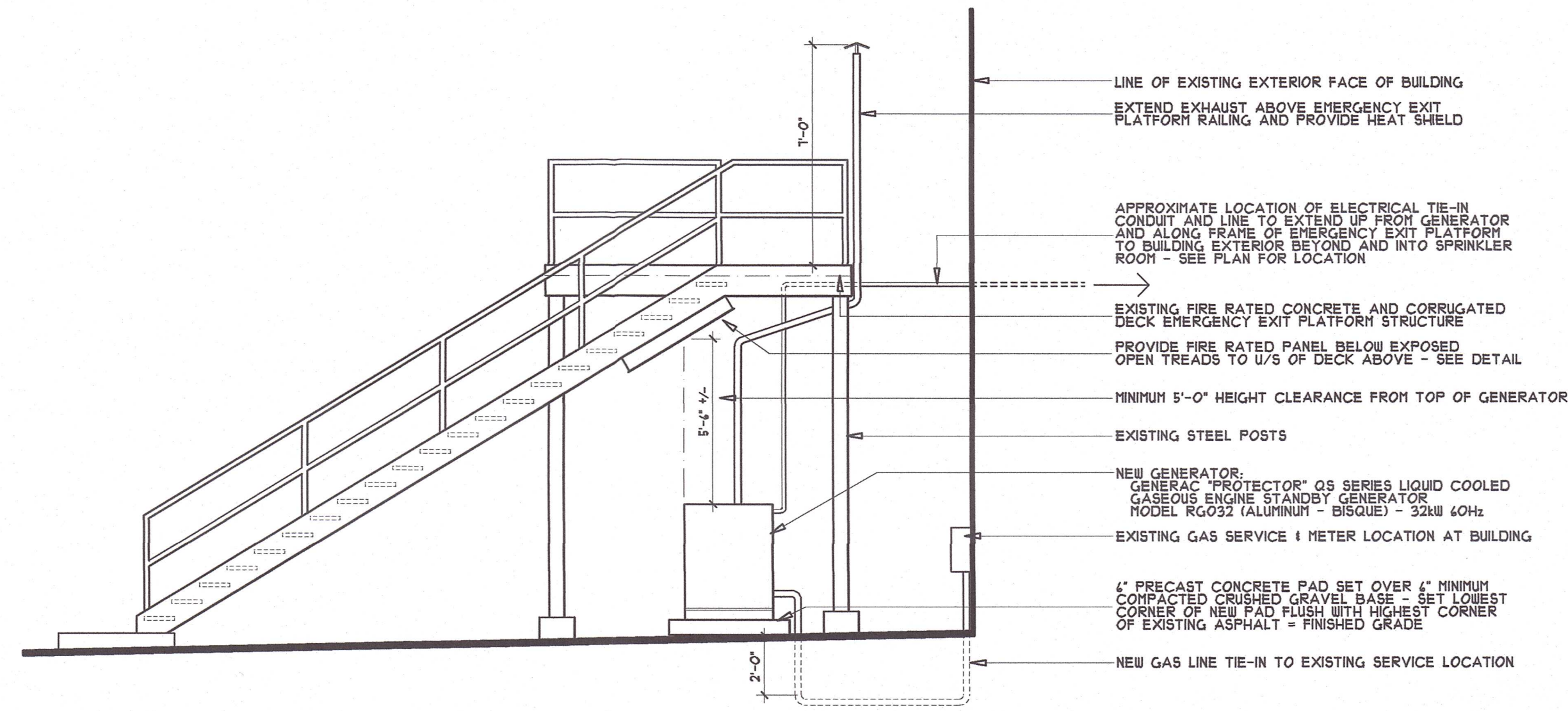
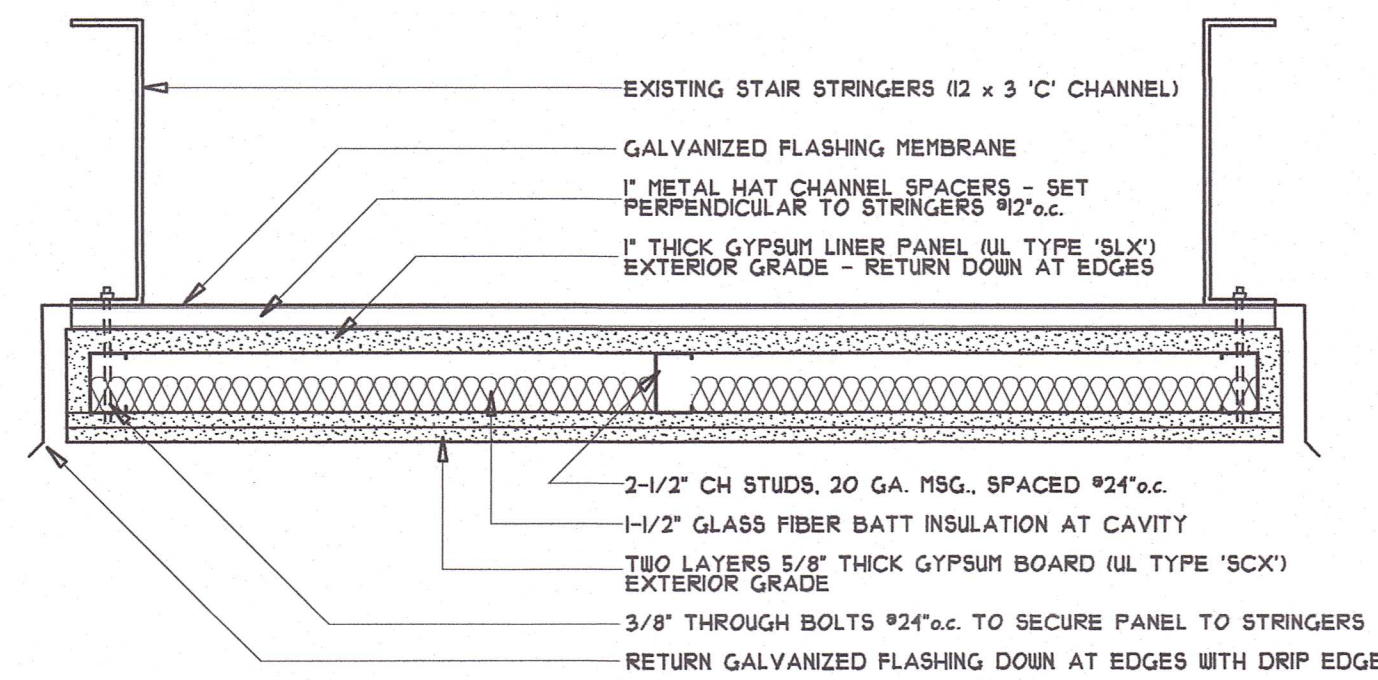


GENERATOR ADDITION TO EXISTING OFFICE BUILDING

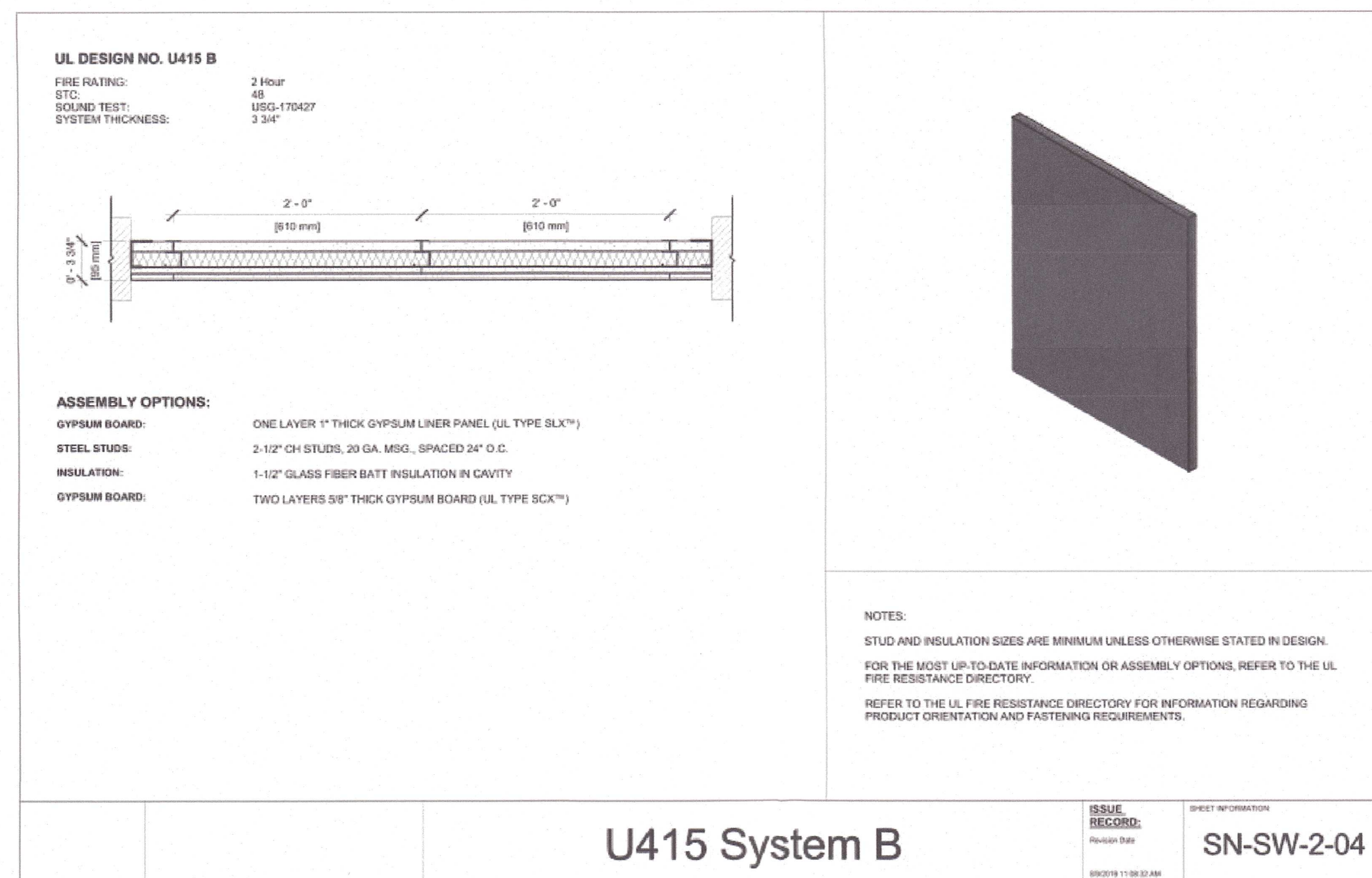
LOCATED AT
98 REBESCHI DRIVE
NORTH HAVEN, CT.



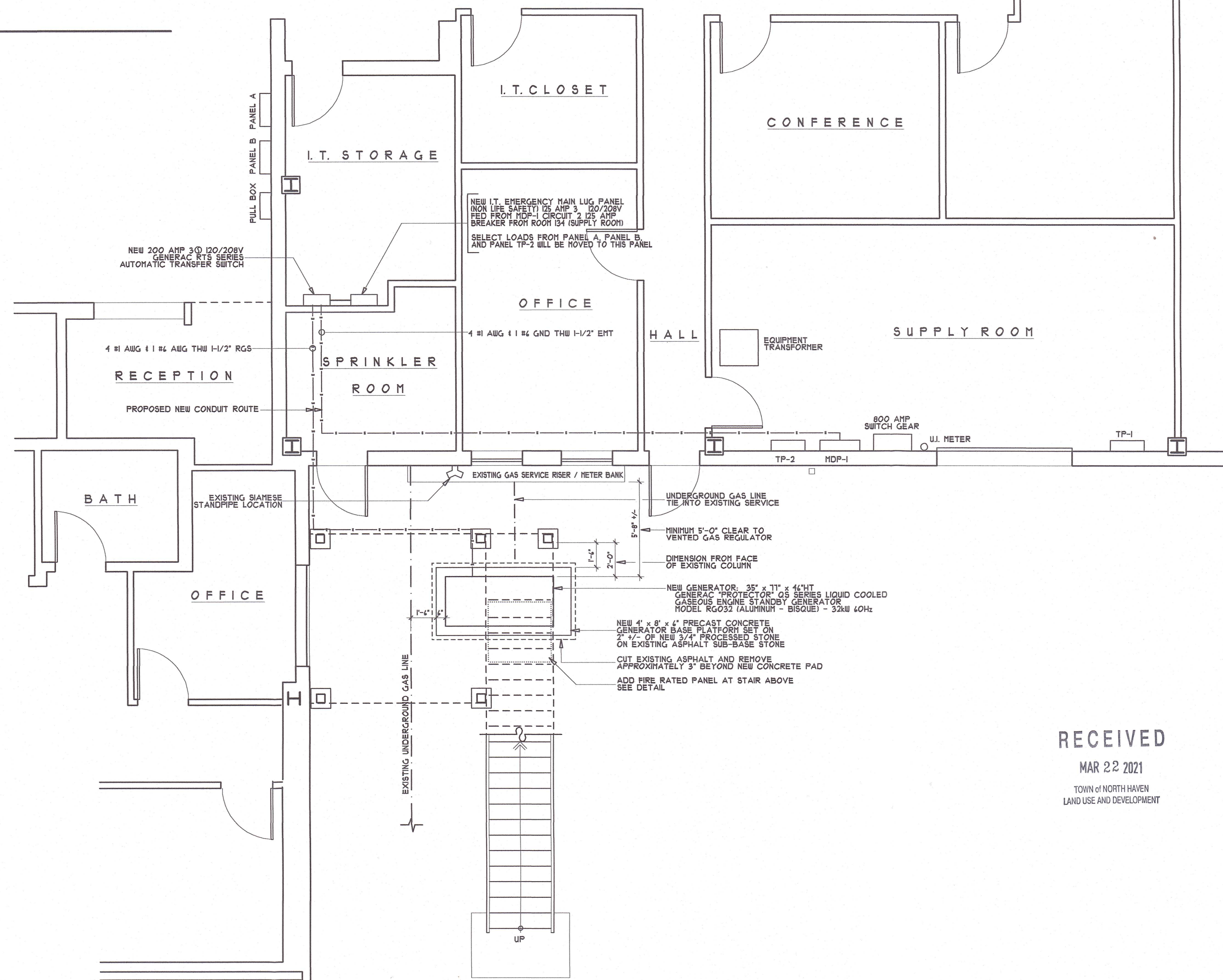
1 ELEVATION VIEW
A.1 1/4" = 1'-0"



2 RATED PANEL DETAIL
A.1 1 1/2" = 1'-0"



3 UL DESIGN NO. 415 RATED ASSEMBLY DETAIL
A.1 1" = 1'-0"



4 FLOOR PLAN VIEW
A.1 1/4" = 1'-0"

DATE	STATUS
02.10.21	ISSUED FOR REVIEW
02.11.21	ISSUED FOR PERMIT / CONSTRUCTION

DRAWING STATUS	
<input type="checkbox"/>	PRELIMINARY
<input type="checkbox"/>	MUNICIPAL APPROVALS
<input type="checkbox"/>	PLANNING & ZONING
<input type="checkbox"/>	FIRE MARSHALL
<input type="checkbox"/>	BUILDING DEPT.
<input type="checkbox"/>	CONTRACT DRAWING
<input checked="" type="checkbox"/>	PERMIT DRAWING
<input type="checkbox"/>	NOT FOR CONSTRUCTION
<input checked="" type="checkbox"/>	CONSTRUCTION DRAWING

Petra
CONSTRUCTION CORP.

98 REBESCHI DRIVE • NORTH HAVEN, CT. 06743
203.865.6043 • 203.865.6847 FAX

RECEIVED
MAR 22 2021
TOWN OF NORTH HAVEN
LAND USE AND DEVELOPMENT

NEW GENERATOR
98 REBESCHI DRIVE
NORTH HAVEN, CT.
PREPARED FOR: GUIDO PETRA (OWNER)

JOB No.: GENERATOR
SHEET NUMBER
A.1
OF 1 SHEET